

SIGMA

J E D F N Es I S Dk Cs Ct K R P

259180401

105mm F1.4 DG HSM

A Art

0 1 8

使用説明書

INSTRUCTIONS

BEDIENUNGSANLEITUNG

MODE D'EMPLOI

GEBRUIKSAANWIJZING

INSTRUCCIONES

ISTRUZIONI PER L'USO

BRUKSANVISNING

BRUGSANVISNING

用户手册

用戶手冊

사용자 설명서

РУКОВОДСТВО ПО ЭКСПЛУАТАЦИИ

MANUAL DE INSTRUÇÕES

SIGMA CORPORATION

2-4-16 Kurigi, Asao-ku, Kawasaki-shi, Kanagawa 215-8530 Japan

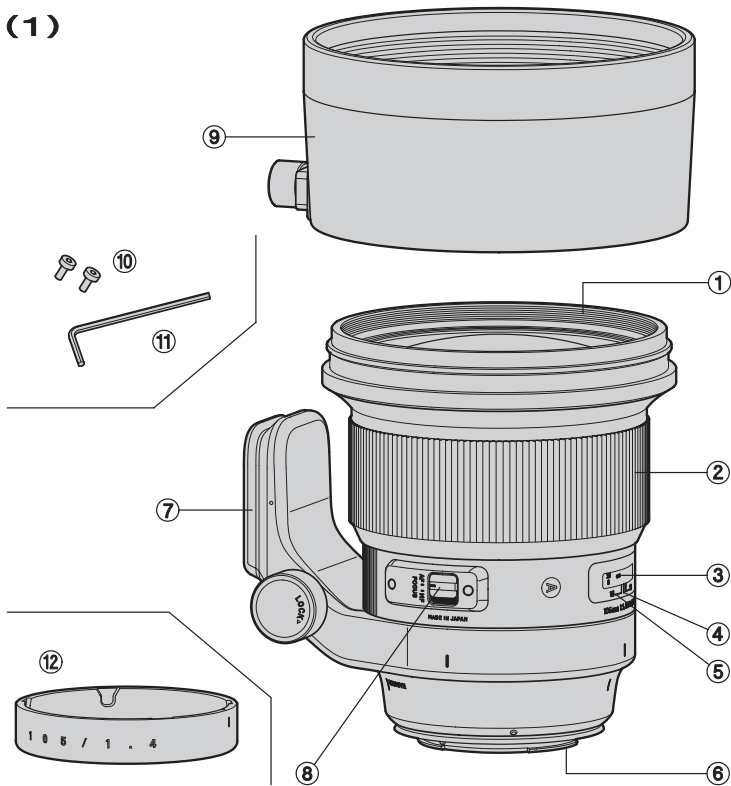
Phone : (81) - 44 - 989 - 7437 Fax : (81) - 44 - 989 - 7448

(A)

D5, D4S, Df, D850, D810, D810A, D750, D610, D500, D7500, D7200, D7100, D5600, D5500, D5300, D5200, D5100, D5000, D3400, D3300, D3200, D3100

(B)

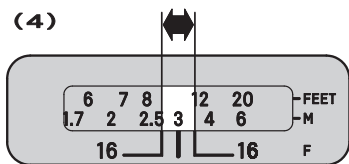
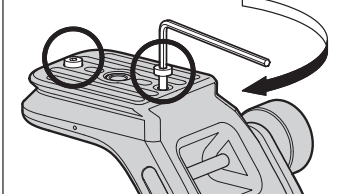
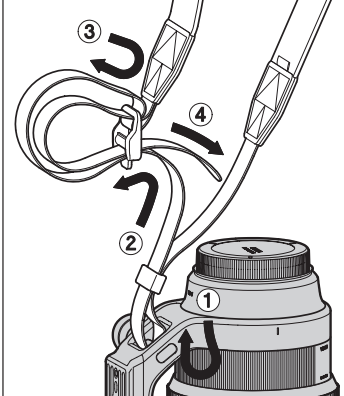
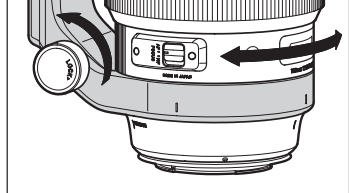
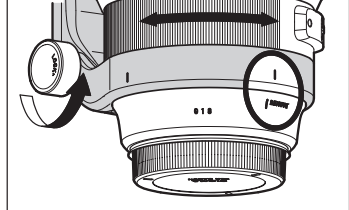
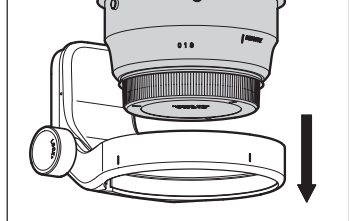
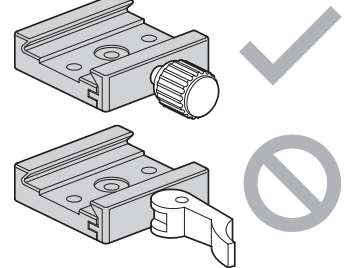
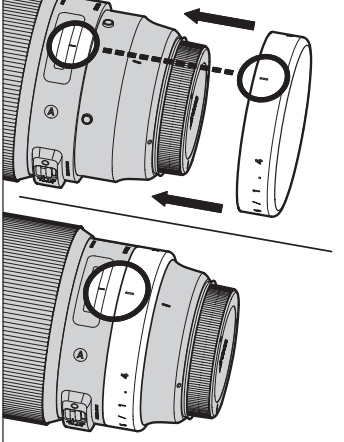
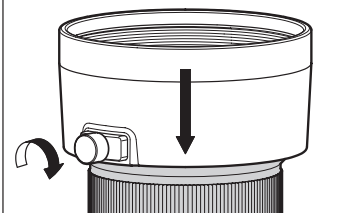
D2XS, D2X, D2HS, D2H, D1X, D1H, D1, D200, D100, D90, D80, D70S, D70, D60, D50, D40X, D40, D3000

(1)**(2)**

AF MF
FOCUS

(3)

AF MF
FOCUS

(4)**(9)****(10)****(5)****(6)****(7)****(8)****(11)****(12)**

ENGLISH

Thank you very much for purchasing a Sigma Lens. In order to get the maximum performance and enjoyment out of your Sigma lens, please read this instruction booklet thoroughly before you start to use the lens.

⚠ **WARNING!! : SAFETY PRECAUTIONS**

- ◆ Do not look directly at the sun, through the lens. Doing so can cause damage to the eye or loss of eyesight.
- ◆ Do not leave the lens in direct sunlight without the lens cap attached, whether the lens is attached to the camera or not. This will prevent the lens from concentrating the sun's rays, which may cause a fire.
- ◆ The shape of the mount is very complex. Please be careful when handling it so as not to cause injury.

DESCRIPTION OF THE PARTS (fig.1)

- | | | |
|----------------------------|---------------------------------|------------------------------------|
| ① Filter Attachment Thread | ⑤ Depth of Field Read Out Index | ⑨ Lens Hood |
| ② Focus Ring | ⑥ Mount | ⑩ Safety stopper screws (2 pieces) |
| ③ Distance Scale | ⑦ Tripod Socket | ⑪ Hex key |
| ④ Focus Index Line | ⑧ Focus Mode Switch | ⑫ Protective Cover |

FOR NIKON MOUNT

This lens includes an electromagnetic diaphragm mechanism, the same specifications as the E-type mechanism in Nikon AF lenses. The lens is compatible with the cameras listed in Table (A). (The models with the ★ mark require the latest version of the camera firmware to ensure compatibility.)

- ◆ It is not compatible with film single-lens reflex cameras.
- ◆ It is not possible to use the lens with the cameras in Table (B).
- ◆ For models not listed in Table (A) or Table (B), please refer to the camera's instruction manual to check for compatibility of E-type lenses.

ATTACHING TO THE CAMERA BODY

Please refer to the camera's instruction manual for details on how to attach it to or detach it from the camera body.

- ◆ On the lens mount surface, there are electrical contacts. Please be careful with their handling as scratches or dirt on them could cause malfunctions or damage.

FOCUSING

For autofocus operation, set the focus mode switch on the lens to the "AF" position (fig.2). If you wish to focus manually, set the focus mode switch on the lens to the "MF" position (fig.3). You can adjust the focus by turning the focus ring.

- ◆ Please refer to camera's instruction manual for details on changing the camera's focusing mode.
- ◆ When operating this lens in manual focus mode, it is recommended that correct focus be confirmed visually in the viewfinder rather than relying on the distance scale.
- ◆ For the Sony E-mount lens, only MF is available during video shooting, depending on the camera.

This lens also permits manual focusing even in the autofocus mode. While half pressing the shutter button, rotate the focus ring to adjust the point of focus. (For the Sony E-mount lens, please set the focus mode of the camera to [DMF].)

Also, this lens can offer [Full-time MF function] (Manual Override) by rotating the focus ring of the lens while auto focusing is in operation (except for the Sony E-mount lens). The default setting of Full-time MF function varies for each mount.

Mount	Full-time MF function	Available AF Mode
SIGMA, NIKON	ON	Single AF (AF-S, S) Continuous AF (AF-C, C)
CANON	OFF	Single AF (ONE SHOT)

- ◆ When using USB DOCK (sold separately) and its dedicated software, "SIGMA Optimization Pro", it is possible to select Full-time MF function ON/OFF. You can also adjust the amount of ring rotation to operate Full-time MF function. For further information, please refer to the SIGMA Optimization Pro "Help" menu.
- ◆ SIGMA Optimization Pro can be downloaded free of charge from the following website: <http://www.sigma-global.com/download/>

DEPTH OF FIELD SCALE

The depth of field scale helps you to check the depth of field (the zone of sharpness) of your composition. For example in figure (4), the depth of field zone is shown when the aperture F16 is used.

TRIPOD SOCKET AND COLLAR

This lens is equipped with a tripod socket. When you loosen the locking knob on the collar, the lens and camera can rotate freely to easily position the camera horizontally or vertically (fig.5).

It is possible to remove the lens' tripod socket, for more convenient hand-held photography, if desired.

1. To do so, first loosen the tripod collar locking knob, and, align the index mark of the collar, with the **REMOVE** position (fig.6).
2. Then, pull the tripod collar straight back, as shown in Fig.7, removing the collar.

- ◆ When you wish to re-attach the tripod collar to the lens, please reverse the procedure above.
- ◆ Please, do not set the tripod collar to the **REMOVE** position, except when you are removing, or attaching, the tripod collar, as the lens may inadvertently detach from the collar and fall. Also, please remember to tighten the locking knob to prevent the lens from rotating unintentionally.
- ◆ When the lens is mounted on the camera, the tripod collar cannot be removed from the lens.
- ◆ This product is compatible with the Arca Swiss screw knob clamp. Please ensure that it is screwed and fixed tightly. This product is not designed for lever type clamps. There are some lever clamps available that do not fix firmly and safely. (fig.8)
- ◆ Please ensure that 2 Safety Stopper Screws (supplied) are always fixed so that the Arca Swiss clamp will not fall off. As shown in (fig.9), please attach them to the safety stopper screw holes using the small hex key.

SHOULDER STRAP

Please attach the shoulder strap to the sling as described in fig.10.

PROTECTIVE COVER

As an accessory, [Protective Cover] comes with this lens for the purpose of protecting the attaching portion for tripod socket, and improving the touch when the lens is held by hand. In order to attach [Protective Cover] to the lens, first, the tripod socket must be removed. Then, as shown in Fig.11, position the mark on [Protective Cover] to the same mark on the lens. After that, push the cover straight to the lens until it is attached.

In order to remove the cover off the lens, pull it straight in the opposite direction.

- ◆ Please do not carry the lens holding the Protective Cover part while the cover is attached. It might cause a drop of the lens.

LENS HOOD

A detachable hood is provided with the lens. This lens hood helps to prevent flare and ghosted images caused by bright illumination from outside the picture area. Attach the hood and lock the knob to fix the hood in place. (fig.12)

- ◆ In order to place the lens and hood into the storage case, you must first remove the hood, then replace it on the lens in the reverse position.

FILTER

- ◆ When using a polarizing filter with an AF camera, use the "circular" type.

BASIC CARE AND STORAGE

- ◆ Avoid any shocks or exposure to extreme high or low temperatures or to humidity. For extended storage, choose a cool and dry place, preferably with good ventilation. To avoid damage to the lens coating, keep away from mothballs or naphthalene gas.
- ◆ Do not use thinner, benzine or other organic cleaning agents to remove dirt or finger prints from the lens elements. Clean by using a soft, moistened lens cloth or lens tissue.
- ◆ This lens benefits from a dust and splash proof construction. Although this construction enables the lens to be used under light rain, it is not the same as being water proof. Please pay attention to prevent a large amount of water from splashing on the lens, especially when using it by a waterside. It is often impractical to repair the internal mechanism, lens elements and electric components if damaged by water.
- ◆ Sudden temperature changes may cause condensation or fog to appear on the surface of the lens. When entering a warm room from the cold outdoors, it is advisable to keep the lens in the case until the temperature of the lens approaches room temperature.

TECHNICAL SPECIFICATIONS

Lens construction	12 - 17	Filter Size	105mm
Angle of View	23.3°	Dimensions	115.9x131.5mm
Minimum Aperture	16	Dia. x Length	(4.56 x 5.18in)
Minimum Focusing Distance	1m(3.28ft)	Weight	1645g (58.03oz)
Magnification	1:8.3		

- ◆ Dimensions and weight include the SIGMA mount.
- ◆ The glass materials used in the lens do not contain environmentally hazardous lead and arsenic.



E Disposal of Electric and Electronic Equipment in Private Households

Disposal of used Electrical & Electronic Equipment (Applicable in the European Union and other European countries with separate collection systems)

This symbol indicates that this product shall not be treated as household waste. Instead it shall be collected separately for the recycling of electrical and electronic equipment. If the new products are purchased, this product might be handed over to the distributor or the collection system of waste electrical and electronic equipment eventually. By ensuring this product is disposed of correctly, you will help prevent potential negative consequences for the environment and human health, which could otherwise be caused by inappropriate waste handling of this product or components of this product. If this product is disposed illegally, it might cause a possibility of penalties. For more detailed information about recycling of this product, please contact your local city office, your household waste disposal service or the shop where you have purchased the product.



N73



This device complies with Part 15 of the FCC Rules. Operation is subject to the following two conditions: (1) this device may not cause harmful interference, and (2) this device must accept any interference received, including interference that may cause undesired operation.



J CE マークは、この製品が EC 指令に適合していることを示しています。

E The CE Mark is a Directive conformity mark of the European Community (EC).

D Die CE-Kennzeichnung ist eine Konformitätserklärung des Herstellers, die dokumentiert, daß das betreffende Produkt die Anforderungen von EG-Richtlinien einhält.

F Le label CE garantit la conformité aux normes établies par la Communauté Européenne.

N Het CE teken is een aanduiding voor de Europese Gemeenschap (EC).

Es El logotipo CE es una directiva de conformidad con la Comunidad Europea (CE).

I Questo è il marchio di conformità alle direttive della comunità Europea (CE).

S CE-märket betyder att varan blivit godkänd av EU:s gemensamma kvalitetsnorm.

Dk CE-mærket er i overensstemmelse med de gældende regler i EU.

P A marca CE garante a conformidade com as normas estabelecidas pela Comunidade Europeia

SIGMA (Deutschland) GmbH Carl Zeiss Str. 10/2, D 63322 Rödermark, F.R.GERMANY
Sales: 06074 / 865 16 0 Service: 06074 / 865 16 65 Support: 06074 / 865 16 88
E-Mail: info@sigma-foto.de