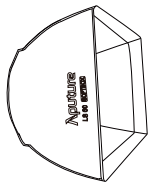


LS 60 Softbox Product manual

Thank you for purchasing the LS 60 Softbox.

The Aputure LS 60 Softbox is a soft lighting modifier designed specifically for the Aputure LS 60d and LS 60x. It maintains a simple construction while still giving users all the tools they need modify their light, including two diffusion fabrics and a light control grid.

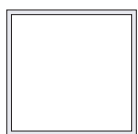
Check list



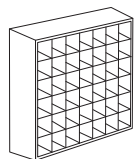
LS 60 Softbox (1 pc)



Mini Mount Speedring (1 pc)



Diffusion Fabrics
(1pc 1.5 Stop Diffusion, 1pc 2.5 Stop Diffusion)



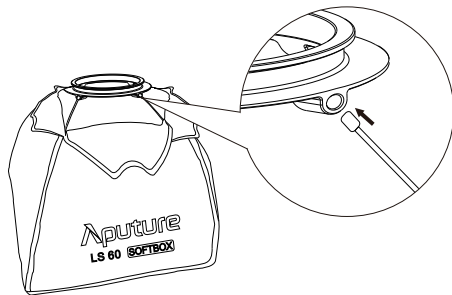
Fabric Light Control Grid (1 pc)



Carrying Bag (1 pc)

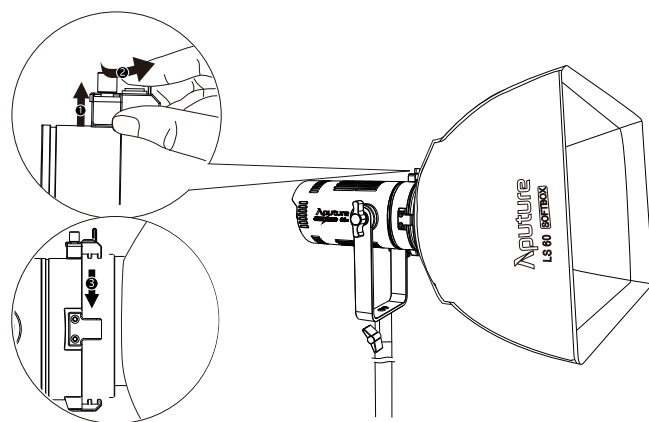
Setting up the Softbox

Insert each of the four rods into the speedring.



Installing on the LS 60d or LS 60x

Open the top latch on the LS 60d/x by pulling forward the locking tab and turning it to the side. Insert the LS 60 Softbox Speedring into the accessory slot of the LS 60d/x, and then close the top latch and re-insert the locking tab.



This product manual can be found on www.aputure.com.

Softbox Dimensions	Built	350*350*300mm / 13.78*13.78*11.81in
	Collapsed	400*200*50mm / 15.75*7.87*1.97in
Diffusion Fabric	1.5 Stop	400*200*50mm / 15.75*7.87*1.97in
	2.5 Stop	350*350mm / 13.78*13.78in
Fabric Light Control Grid	Beam Angle	45°
	Dimension	350*350mm / 13.78*13.78in
Speedring Adapter	Mini Mount/ φ106mm	
Total Weight	420g / 0.926lbs	

Aputure® GUARANTEE CARD

Serial No.	
Item Name	
Purchase Date	
Buyer Name	
Buyer Phone	
Buyer Add	
Franchiser Seal	

Aputure®	
Aputure Imaging Industries Co., Ltd.	
Inspection: Qualified	
Add: F/3, Building 21, Longjun Industrial Estate, Heping West Road, Shenzhen, Guangdong	

Service Warranty (EN)

Aputure Imaging Industries Co., Ltd. warrants the original consumer purchaser from defects in material and workmanship for a period of one (1) year after the date of purchase. For more details of warranty visit www.aputure.com

Important: Keep your original sales receipt. Be sure the dealer has written on it the date, serial No. of the product. This information is required for warranty service.

This warranty does not cover:

- Damage that is the result of misuse, abuse, accident (including but not limited to damage by water), faulty connection, defective or maladjusted associated equipment, or the use of the product with equipment for which it was not intended.
- Cosmetic defects that appear more than thirty (30) days after the date of purchase. Cosmetic damage caused by improper handling is also excluded.
- Damage that occurs while the product is being shipped to whoever will service it.

This warranty is void if:

- The product identification or serial No./label is removed or defaced in any way.
- The product is serviced or repaired by any one other than Aputure or an authorized Aputure dealer or service agency.

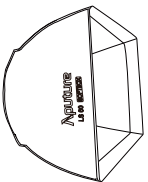
Aputure Imaging Industries Co., Ltd.
Add: F/3, Building 21, Longjun industrial estate,
Heping West Road, Shenzhen, Guangdong
E-MAIL: cs@aputure.com
Sales Contact: (86)0755-83285569-613

LS 60 柔光箱产品手册

感谢您购买爱图仕产品。

爱图仕LS 60柔光箱是一款全新爱图仕柔光附件，可以搭配现有的LS 60系列灯体使用，良好的柔光效果，让光线更加均匀柔和，色彩饱和度更好，满足更多的布光需求。

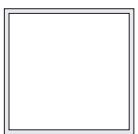
物品清单



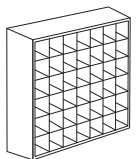
柔光箱 (1 pc)



固定环 (1 pc)



柔光布
(1.5 stop*1pc, 2.5stop*1pc)



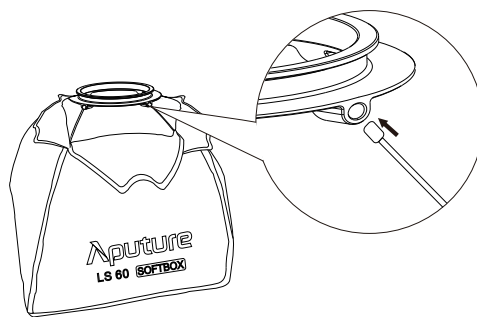
格栅 (1 pc)



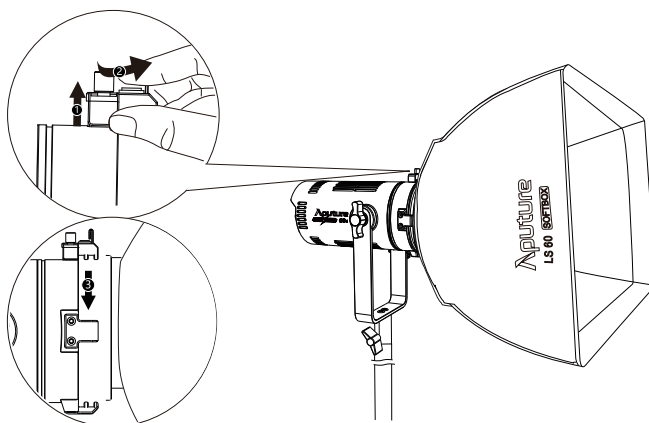
手提袋 (1 pc)

安装

安装时将金属支撑杆一端插入固定圈，然后另一端依次穿入柔光箱角部扣槽内



安装在LS 60d/x上示意图



您可以在本公司网站 www.aputure.cn 下载本产品的详细使用者指南。

柔光箱尺寸	撑开状态	350*350*300 mm
	叠合状态	400*200*50 mm
柔光布尺寸	1.5 Stop	350*350 mm
	2.5 Stop	350*350 mm
格栅	发光角度	45°
	尺寸	350*350 mm
转接固定环	自制转接固定环	
净重	420g	

Aputure® 保修卡

产品编号	
产品名称	
购买日期	
用户姓名	
用户电话	
用户地址	
经销商印章	

Aputure®	
爱图仕	
深圳市爱图仕影像器材有限公司	
检验:合格	
地址:深圳市龙华新区和平西路九窝龙军工业区	

保修条款(中文)

本公司对产品第一买主客户提供为期一年的质量保证期。质保内容和细节，请登陆我们的网站www.aputure.com。

重要说明:

请保留您原始购买单据及保修卡。确定您购买的供应商资料都在此单据，同时包括您的购买日期，产品序列号等，这些资料质保服务时都会需要提供。

质保范围不包括:

- 产品不当使用，破坏，意外，错误接线，不良或失调的外接装置，不适合的外接装置所造成的损坏(包括暴露于雨水等损坏)，不在质保范围。
- 自购买日30天后产品外观的损伤，或是不当的表面处理接触造成的外观损伤，不在质保范围。
- 经销商运送所造成的损坏，不在质保范围。

质保无效说明:

- 产品序列号标识已经被撕去或无法辨识，本质质保无效。
- 产品未经本公司或者指定授权维修公司的检修及改装，本质质保无效。

深圳市爱图仕影像器材有限公司
地址:广东省深圳市龙华和平西路九窝龙军工业区21栋3楼
邮箱: cs@aputure.com
销售热线: 0755-83285569-613
服务热线: 400-0999-028