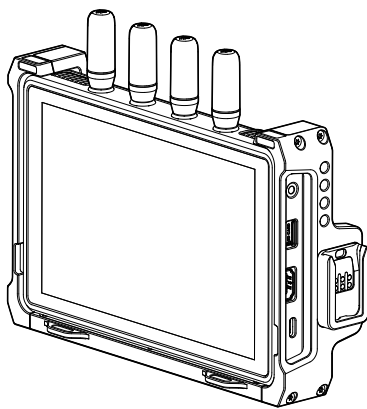


DJI High-Bright Remote Monitor

User Guide
使用说明

v1.2 2022.09



Contents

EN	Disclaimer and Warning	1
	Introduction	1
	Overview	1
	Mounting/Removing the Battery	2
	Activation	4
	Linking	4
	Monitoring Interface	6
	System Menu	12
	Appendix	14
CHS	免责声明和警告	16
	简介	16
	部件名称	16
	安装 / 拆卸电池	17
	激活	19
	对频	19
	监看界面	21
	系统菜单	27
	附录	29

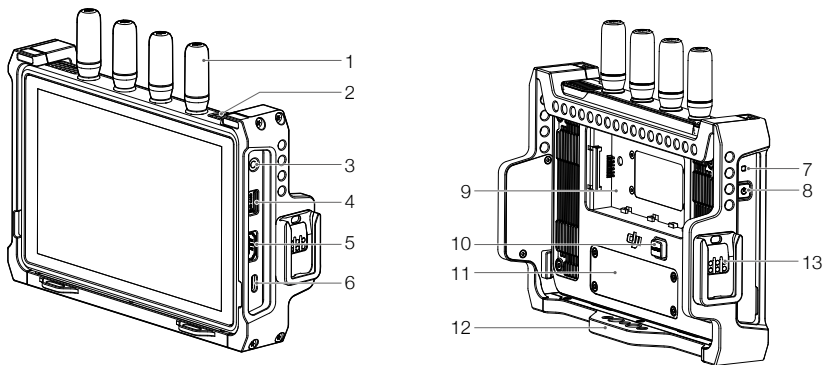
Disclaimer and Warning

Carefully read this entire document and all safe and lawful practices provided before use.

Introduction

Boasting DJI's O3 Pro Video Transmission technology, the DJI™ High-Bright Remote Monitor can connect wirelessly to compatible devices when used with the Ronin 4D Video Transmitter or DJI Video Transmitter. The monitor enables users to follow the live view of the camera and to control the camera remotely. An expansion plate can be mounted to the monitor to expand the DC and CAN input and HDMI and SDI output. The hand grip ports on the remote monitor expansion-protective frame can be used to mount the grips for remote control. The remote monitor supports DJI WB37 batteries and also NP-F series batteries when used with the NP-F battery adapter.

Overview



- 1. Detachable Antennas**
- 2. Ventilation Holes**
- 3. 3.5mm Audio Output Jack**
Monitors the audio recorded by the transmitter device when a monitoring device is connected.
- 4. microSD Card Slot**
The slot supports a microSD card of up to 512 GB. The remote monitor supports local recording and can play the recording files independently of the transmitter device. Users can set to save the recorded files to the microSD card in the Recording Device setting.
- 5. HDMI Port**
The remote monitor can be used as an independent monitor when not used with a video transmitter. The video input signal can be received through the HDMI port and the frame guide and safety zone settings, exposure assistant, and focus assistant are available.
- 6. USB-C Port**
Connect to the DJI Assistant 2 (Ronin Series) software using a USB-C cable for device activation and firmware update. The video stream from the monitor can be used as a

webcam input when connecting to a computer. It is required to set the usage of the USB-C port in the Input & Output Settings on the monitor before use.

7. Power Indicator

The indicator will light up when powered on and will turn off when powered off.

8. Power Button

Press once to power on. When powered on, press the power button once to turn off the screen display. Press again to turn it on. Press the power button twice to lock the touch screen and all touch operations will be disabled. Press twice again to unlock the touch screen.

9. Battery Slot

The WB37 Intelligent Battery is used for power supply by default. The NP-F series batteries can be used for power supply when the NP-F battery adapter is mounted.

10. WB37 Battery Release Button

11. Expansion Plate Port Cover

The expansion plate port under the cover is used to mount the remote monitor expansion plate to expand the DC and CAN input and HDMI and SDI output.

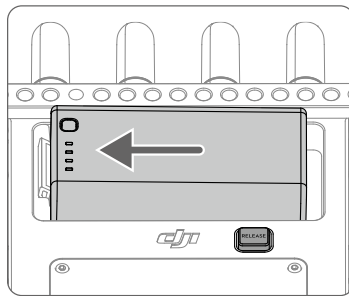
12. Expansion-Protective Frame

Accessories can be mounted to the expansion-protective frame using the 1/4" screw holes, 1/8" screw holes, and hand grips port (13 on overview illustration).


Mounting/Removing the Battery

Before first use, activate the WB37 battery by charging with the WB37 Battery Charging Hub (USB-C). Refer to the WB37 Battery Charging Hub (USB-C) User Guide for more information.

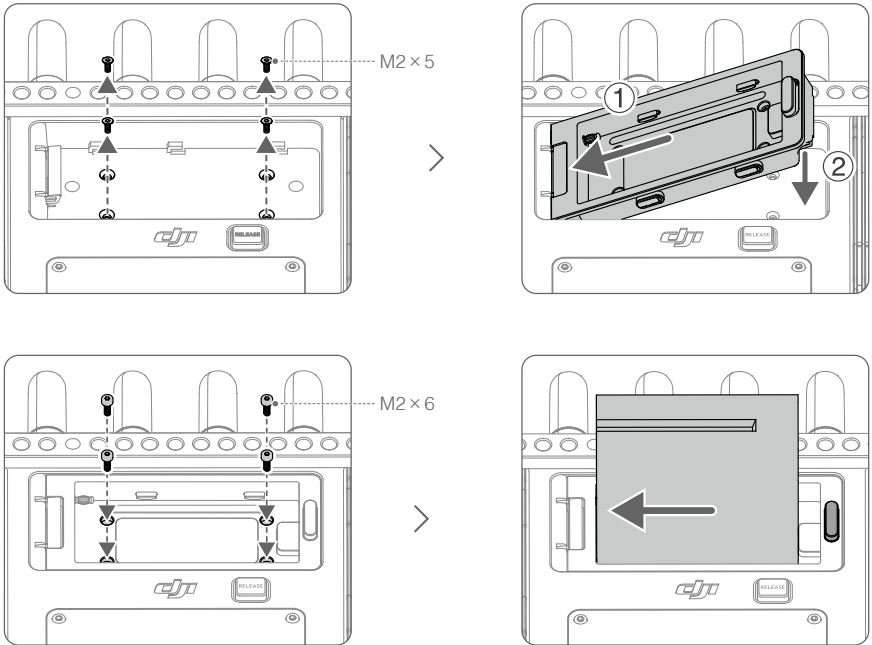
1. Insert the WB37 battery into the battery slot and push it to the end. Make sure that the WB37 battery release button pops up, indicating the battery is firmly in place.



Press and hold the WB37 battery release button and push the battery in the opposite direction to remove it.

-
-  Make sure to use the WB37 battery within the operating temperature range. DO NOT disassemble or pierce a battery in any way or it may leak, catch fire, or explode. Refer to the WB37 Intelligent Battery Safety Guidelines for more information.
-

2. When using the NP-F series batteries, remove the four M2×5 countersunk screws on the back of the remote monitor, mount the NP-F battery adapter to the battery slot, and tighten the four M2×6 socket cap screws. Insert the battery and push it to the end with the connector. Make sure that the NP-F battery release button pops up, indicating the battery is firmly in place.



Press and hold the battery release button on the battery adapter and push the battery in the opposite direction to remove it.

Activation

Activation is required when using the remote monitor for the first time. Power on the monitor and connect it to the computer. Launch DJI Assistant 2 (Ronin Series), click the corresponding device icon, and follow the instructions onscreen to activate the device. Download the software from:

<https://www.dji.com/downloads/softwares/dji-assistant-2-ronin-series>



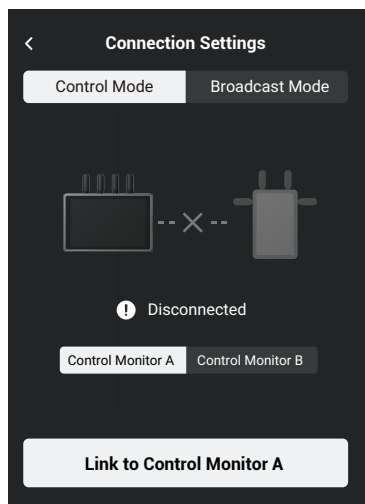
Make sure to connect the device to the DJI Assistant 2 software and log in with your DJI account to make sure it is correctly recognized when the device is used in a country or region that is different from where it was activated.

Linking

The monitor and video transmitter must be linked before use. Make sure that the video transmitter is mounted to a compatible device before linking. The video transmission system of the remote monitor offers Control mode and Broadcast mode, which use different linking methods.

Control Mode

1. Power on the remote monitor. Tap ●●● to enter System Menu and then Connection Settings. Select Control Mode, set the monitor as Control Monitor A or Control Monitor B, and tap Link to Control Monitor A/B to enter linking status.



2. Using Ronin 4D: to start linking, hold the link button on the Ronin 4D Video Transmitter or go to menus on the Ronin 4D High-Bright Main Monitor, tap Transmission, and Link Device. The linking status indicator on the video transmitter blinks red and green alternately, indicating the device is linking.

Using DJI Video Transmitter: power on the DJI Video Transmitter. Press and hold the menu dial on the video transmitter until the linking status indicator blinks red and green alternately, indicating the device is linking.

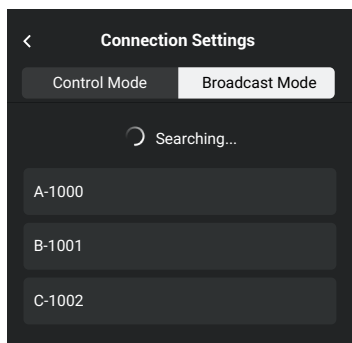
- Once linked, the remote monitor will show a connected status, the control monitor A/B on the Ronin 4D main monitor will have a connected status, and the linking status indicator on the video transmitter will glow solid green.

Broadcast Mode

- Using Ronin 4D: enable Broadcast Mode in Transmission settings on the Ronin 4D High-Bright Main Monitor. Make sure that at least one remote monitor is powered on and connected to Ronin 4D before enabling Broadcast mode.

Using DJI Video Transmitter: enable Broadcast mode in the menu on the video transmitter.

- Power on the remote monitor. Tap ●●● to enter System Menu and then Connection Settings. Select Broadcast Mode and the monitor will automatically search for nearby devices with Broadcast mode enabled. Tap a device to monitor and the live view from the corresponding device will display on the remote monitor. Tap the camera number on the right side of the screen to refresh the live view or switch between the monitored devices.



Monitoring Interface



Control Mode





Mirror Control Mode on Ronin 4D Enabled



Broadcast Mode

The interface varies for Control mode and Broadcast mode. The following describes the interface for Control mode. In Broadcast mode, operations such as adjusting recording parameters and switching LUT cannot be performed.

1. Battery Level and External Power Voltage

The battery level will be displayed when a battery is used as the power source, while the voltage will be displayed when an external DC power supply is used. The battery icon will turn red  when the battery level is lower than 10%. The battery icon will be  when the battery level is critically low. Charge the battery immediately.

2. TX Battery Level and External Power Voltage





Displays the battery level or external power voltage of the transmitting device connected to the remote monitor. The battery level will be displayed when a battery is used as the power source, while the voltage will be displayed when an external DC power supply is used.

3. Storage Capacity

Displays the available storage or the corresponding remaining recording time of the microSD card in the monitor.

4. Remote Control Devices

Shows the connected remote control devices. See below for the corresponding device for each icon.

- | | |
|--|---|
|  : Three-Channel Follow Focus |  : Master Wheels |
|  : Left Hand Grip |  : Right Hand Grip |

5. HDMI Input Devices

This icon will appear when the HDMI port is connected to a video source.

6. Video Transmission Signal Strength and Bitrate

Tap to enter video transmission channel settings to switch the channel mode, check the signal quality, and select the channel and downlink bandwidth.

Channel Mode: tap to switch between Auto and Manual.

In Auto mode, channels with strong interference will be avoided automatically and the

channel with the least interference and best signal quality is selected. In Manual mode, users can manually select the channel with the best signal quality and downlink bandwidth. If the remote monitor is near connected devices in an environment with weak interference, it is recommended to set the bandwidth to 40M for best transmission quality. If the remote monitor is far from connected devices in an environment with strong interference, it is recommended to set the bandwidth to 20M for longer transmission distance and better anti-interference.

When using with the DJI Video Transmitter, if the video transmitter is linked to the remote monitor in Control mode and Broadcast mode is enabled, users can select the prioritized mode.

Prioritized Mode: tap to select Control mode or Broadcast mode as the prioritized mode.

When Control mode is the prioritized mode, the transmission signal quality of the devices in Control mode will have a priority. Users can select the channel mode. In this mode, devices in Broadcast mode near the remote monitor may have a weak transmission signal.

When Broadcast mode is the prioritized mode, the transmission signal quality of the devices in Broadcast mode will have a priority. Users can select the channel manually, while the channel mode and downlink bandwidth cannot be selected.

7. Recording Parameters

Recording parameters will be displayed when used with Ronin 4D including white balance, ND, aperture, EI, and aperture angle or shutter speed (depending on Ronin 4D settings). Tap to adjust the corresponding parameter.

8. Gyroscope Control

Tap to enter the settings menu to enable or disable Gyroscope Control. When enabled, set the follow speed of the pan, tilt, and roll axes, and recenter the gimbal. Enter the advanced settings to set the deadband and smoothness of the pan, tilt, and roll axes, calibrate the compass, and reset to default.

When Gyroscope Control is enabled, hold this icon to pause control and the gimbal will keep the current attitude. Release to resume control. Double tap the icon to recenter the gimbal.



- The Gyroscope Control icon will not appear here if Gyroscope Control is disabled in System Menu.
 - LiDAR waveform will not appear when Gyroscope Control is enabled.
-

9. Safety Zone

The safety zone can be used to assist in composition and also to reserve space for overlaid information in advance such as TV station logos and program icons that need to be added to the video. Users can enable or disable the safety zone and set the safety zone ratio in General Settings. Note that the safety zone ratio is only a reference for monitoring and will not affect the actual recording.

10. Frame Guide

Shows the pre-set frame guide. Users can select the frame guide ratio and transparency in General Settings. Frame guide ratio customization is not supported at the moment. Note that the frame guide ratio is only a reference for monitoring and will not affect the actual recording.

11. System Menu

Includes connection settings, general settings, local playback, about, and help. Refer to the System Menu section for details.

12. Volume Level

Shows the current volume level. Green means the volume is safe, yellow means it is approaching being overloaded, and red means it is overloaded.

13. Monitor Volume

Move the slider to adjust the volume from the 3.5mm audio output jack. The remote monitor does not have a built-in speaker. Users can only monitor the volume using the 3.5mm audio output jack.

14. Recording Button and Timecode

Tap to start or stop recording locally or remotely. The icon to the right of the timecode shows the recording device in control currently. Users can select the device in the recording device setting.

15. LUT (for Ronin 4D only)

Tap to switch the LUT effect of the SDI and HDMI video output from the remote monitor or remote monitor expansion plate to Rec.709, D-log, HLG, and LOOK. To customize LUT for monitoring, set the function for LOOK in the Ronin 4D High-Bright Main Monitor to the imported custom LUT. Refer to the Ronin 4D User Manual for more information.

16. Exposure Assist/Focus Assist Settings

Focus Meter: when enabled, the focus meter will be displayed on the right of the screen. It can be used to assist focus when the Ronin 4D Hand Grips or DJI Three-Channel Follow Focus is used. The focus plane distance (the yellow arrow pointed to) and depth of field (area within yellow dotted lines) can be displayed in the focus meter and LiDAR waveform when the focus point information and aperture value are read. (for Ronin 4D only)

LiDAR Waveform: when enabled, the ranging points within the focus area of the LiDAR range finder will be displayed on the right of the screen in a simplified top-down view. (for Ronin 4D only)



LiDAR Waveform Effect Image

Zebra Stripes: when enabled, the overexposed areas in the image will be displayed in zebra stripes. Adjust the percentage of the zebra level using the slider under the option.



Zebra Stripes Effect Image

Waveform: when enabled, the bottom of the screen will show the relationship and degree of the light and shadow in the current screen with a waveform.



Waveform Effect Image

False Color: when enabled, colors representing exposure values of different objects will be added to the image. Enable false color reference to display the false color chart at the bottom of the screen.



False Color Effect Image

Focus Peaking: when enabled, users can set the display color and percentage for color peaking or the percentage for aperture peaking.

When Mirror Control mode is enabled in the Ronin 4D main monitor, users can access the complete live view of the Ronin 4D main monitor on the remote monitor and adjust the parameters. The touch operations on the live view are the same as those on the Ronin 4D main monitor. The icons below correspond to the physical buttons on the Ronin 4D main monitor. Tap the icons on the screen to perform the same functions of the buttons.

17. Home Button

Tap to enter the menu screen.

18. Focus Peak Button

Tap to enable or disable the focus assist display. The function is set to Focus Peaking by default. Go to the menu, select Display, then Focus Assistant, and set the PEAK Button Function to LiDAR Waveform and Focus Mag. The function of the icon on the screen of the remote monitor will be updated accordingly.

19. LUT Button

Tap to enable or disable LUT display. LUTs are customizable. Go to the menu and select Display then LOOK to set LOOK as an imported custom LUT. Refer to the LOOK section in the Ronin 4D User Manual for more information.

20. EXP Button

Tap to enable or disable the exposure display. The feature supports Zebra Stripes, Waveform, and False Color. Go to the menu and select Display then Exposure Assistant to apply settings.

21. Playback Button

Tap to access playback and play the last recorded video.

System Menu

Tap on the bottom left to enter the system menu for multiple settings.

Connection Settings

Link devices and switch between Control mode and Broadcast mode.

General Settings

Input & Output Settings

HDMI/SDI OSD: enable or disable on-screen display on the HDMI/SDI output device.

HDMI/SDI Aspect Ratio: Normal or CenterCrop (16:9).

HDMI/SDI Frame Rate: Auto or 24/25/30/50/60. When an HDMI/SDI output device is connected, the monitor will also prompt a window for frame rate selection. Low latency is selected by default, corresponding to the option 60 in this setting. Auto corresponds to the option Auto in this setting.



The DJI Remote Monitor Expansion Plate is required when using HDMI/SDI output functions.

Input Signal: select OcuSync when using the transmitter as the input source. Select HDMI when using the HDMI port on the monitor as the input source.

Rec Trigger: when a camera with the rec trigger function is used for the transmitter device, enable or disable the function in this setting.

USB-C Function: select Update when using the USB-C port for firmware update. If Webcam is selected, the video stream from the monitor can be used as a webcam input and uploaded to the computer connected to the USB-C port.

Recording Device

Select the device for video recording.

TX+SD: when using with Ronin 4D, control both the monitor and Ronin 4D to record videos simultaneously by the record button on the monitoring interface of the monitor or on Ronin 4D. The recorded files will be stored to both the storage device on Ronin 4D and the microSD card in the monitor.

TX: when using with Ronin 4D, control Ronin 4D to record videos by the record button on the monitoring interface of the monitor or on Ronin 4D. The monitor will not perform local recording. The recorded files will be stored to the storage device on Ronin 4D.

SD: control local recording by the record button on the monitoring interface of the monitor. The transmitter device will not perform recording. The recorded files will be stored to the microSD card in the monitor.

Storage

Tap to view the free storage of the microSD card in the monitor and format the microSD card.

Gyroscope Control

Enable or disable Gyroscope Control. The Gyroscope Control icon will not appear on the monitoring interface when Gyroscope Control is disabled.

Hand Grip Dial

This setting will appear only when using with DJI Video Transmitter. Set the function of the dial on the right hand grip if the Ronin 4D Hand Grip is mounted to the monitor.

Screen Settings

Set the frame guide ratio and transparency, enable or disable the safety zone and center marker, and set the safety zone ratio and brightness.

When an anamorphic widescreen lens is in use, set the appropriate anamorphic desqueeze display ratio to restore the monitoring liveview to the normal effect.



When specific cameras are in use with the transmitter device, enable the virtual widget to set the camera parameters using the virtual buttons on the monitor screen.

Language

Select the system language in the language list.

Local Playback

View and play the locally recorded videos on the microSD card in the playback view.

The monitor will play the last recorded video automatically after entering the playback view. Tap  to view the video list. Tap  to return to the monitoring interface.

About and Help

View information such as the firmware version and serial number under About and scan the QR code to view the video tutorials under Help.

Appendix

Firmware Update

Update the monitor using the DJI Assistant 2 (Ronin Series) software.

1. Power on the device and connect it to a computer with a USB-C cable.
2. Launch DJI Assistant 2 (Ronin Series) and log in with a DJI account.
3. Select the device and click Firmware Update on the left side of the screen.
4. Select the firmware version.
5. The firmware will be downloaded and updated automatically.
6. The device will restart automatically after the firmware update is complete.

Specifications

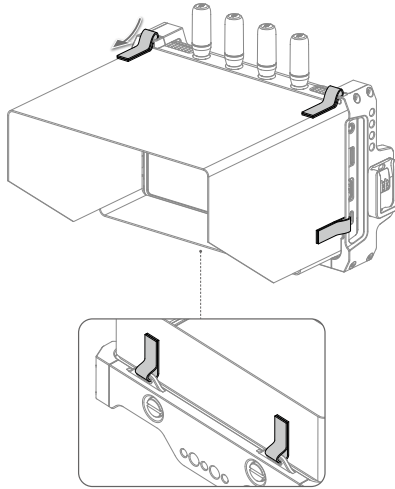
Model	RXD2
Weight	Remote monitor expansion-protective frame included: 768 g Remote monitor expansion-protective frame excluded: 496 g
Dimensions	Remote monitor expansion-protective frame included: 214×52×166 mm (L×W×H) Remote monitor expansion-protective frame excluded: 184×26×158 mm (L×W×H)
Touchscreen Resolution	1920×1200
Touchscreen Brightness	1500 cd/m ²
Image Transmission System	O3 Pro
Live View Quality	1080p 60fps
Max Communication Bandwidth	40 MHz
Max Transmission Distance (Unobstructed, free of interference)	6 km (FCC), 4 km (CE/SRRC/MIC)
Video Coding Format	H.264
Max Bitrate	40 Mbps
Latency	68 ms (1080p 60fps), 100 ms (1080p 24fps)
Operating Frequency*	2.4000-2.4835 GHz, 5.150-5.250 GHz, 5.250-5.350 GHz, 5.470-5.725 GHz, 5.725-5.850 GHz
Transmitter Power (EIRP)	2.4 GHz: <33 dBm (FCC), <20 dBm (CE/SRRC/MIC) 5.8 GHz: <33 dBm (FCC), <14 dBm (CE), <23 dBm (SRRC)
Supported Batteries	WB37 Intelligent Battery, NP-F series battery
Operating Temperature	-10° to 40° C (14° to 104° F)

* Due to local regulations, the 5.1/5.2/5.8GHz frequencies are prohibited in some countries and the 5.1/5.2GHz frequencies are only allowed for use in indoor in some countries. 5.600-5.650 GHz is not used.

Mounting the Remote Monitor Hood

EN

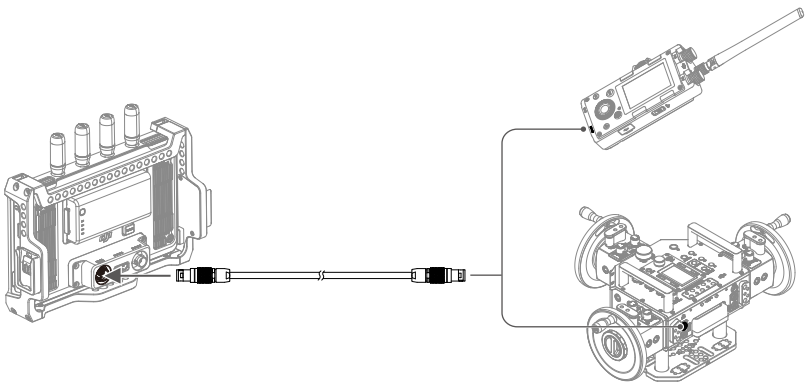
Unfold the remote monitor hood, pass the Velcro on the hood through the mounting holes on the remote monitor expansion-protective frame as shown, and attach the Velcro firmly.



Using Other Control Devices

Connect the DJI Master Wheels or Force Pro to the monitor to control the transmitter device remotely.

Connection: mount the DJI Remote Monitor Expansion Plate to the monitor. Connect the DC-OUT port on the DJI Master Wheels or Force Pro to the DC-IN port on the expansion plate using the DJI High-Bright Remote Monitor Controller Cable.



免责声明和警告

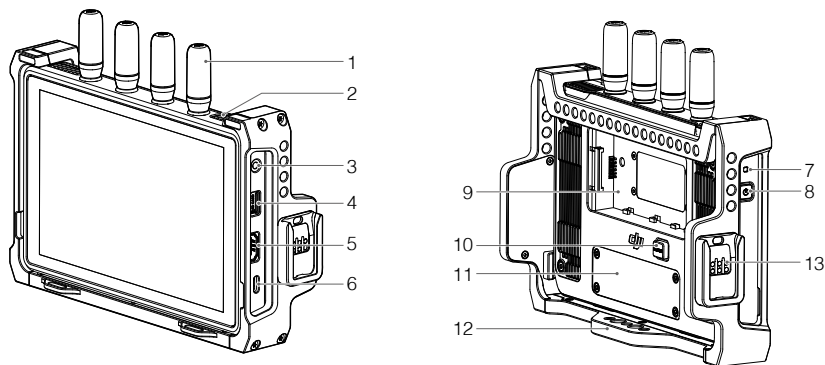
使用本产品之前，请仔细阅读并遵循本文及与本产品相关的所有安全与合规操作指引。

CHS

简介

DJI™ 图传高亮监视器采用 DJI O3 Pro 图传技术，通过 Ronin 4D 图传发射器或 DJI 图传发射器与相应设备无线连接，可远程观看相机拍摄画面及控制相机。监视器可安装拓展板拓展 DC、CAN 输入及 HDMI、SDI 输出，拓展保护框配备控制手柄接口用于安装控制手柄方便远程控制。监视器可通过 DJI WB37 智能电池进行供电；若配合 NP-F 电池转接板，可支持 NP-F 系列电池供电。

部件名称



1. 可拆卸天线

2. 散热孔

3. 3.5 mm 音频输出接口

插入监听设备，可监听发射端录制的音频。

4. microSD 卡槽

最大支持 512 GB 的 microSD 卡。图传高亮监视器支持本地录制及独立回放功能，可在录制控制设置中选择将录制素材保存至 microSD 卡。

5. HDMI 接口

图传高亮监视器在不搭配图传发射器使用时，可作为单独的监视器使用。通过此 HDMI 接口接收视频源输入信号，此时遮幅及安全框设置、曝光辅助及对焦辅助均可正常使用。

6. USB-C 接口

使用 USB-C 线连接至 DJI Assistant 2 (Ronin Series) 调参软件以激活设备、升级固件。亦可接入计算机将监视器的视频源作为网络摄像头的输入使用。使用前需在监视器的输入输出设置中切换 USB-C 接口的用途。

7. 电源指示灯

开机后指示灯常亮，关机后熄灭。

8. 电源按键

短按开机，长按关机。开机状态下，单击电源按键可熄屏，再次单击可亮屏。双击电源按键可锁定触屏，此时触屏的任何操作均无法响应，再次双击电源按键可解锁。

9. 电池插槽

默认使用 WB37 智能电池为监视器供电。若安装 NP-F 电池转接板，则可使用 NP-F 系列电池为监视器供电。

10. WB37 电池移除按键

11. 拓展板接口保护盖

内部的拓展板接口用于安装图传监视器拓展板，拓展 DC、CAN 输入及 HDMI、SDI 输出接口。

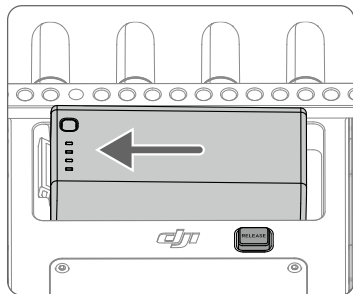
12. 拓展保护框

拓展保护框上配有 1/4 英寸螺纹孔、1/8 英寸螺纹孔及控制手柄接口（图中序号 13）等，用于安装相应的配件。

安装 / 拆卸电池

首次使用需通过 WB37 充电管家（USB-C）为 WB37 电池充电以激活电池。详情参阅《WB37 充电管家（USB-C）使用说明》。

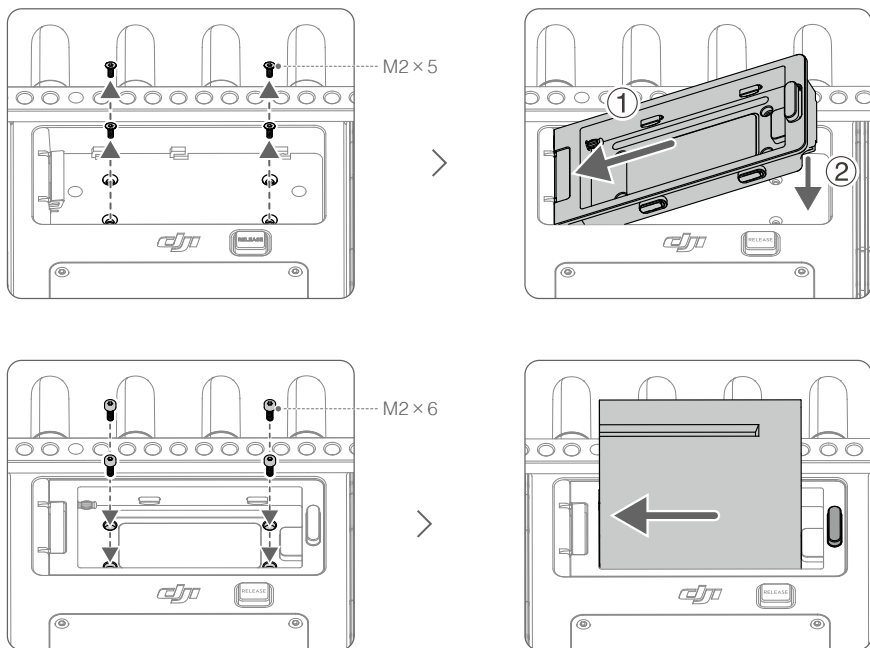
1. 将 WB37 电池置入电池插槽，然后向供电接口方向推到底。确保 WB37 电池移除按键为弹起状态，则表示电池安装到位。



按住 WB37 电池移除按键，沿安装反方向用力推电池，即可取出电池。

⚠ 务必在工作环境温度范围内使用 WB37 电池。禁止以任何方式拆解或用尖利物体刺破电池，否则将会引起电池着火甚至爆炸。详情参阅《WB37 智能电池安全使用指引》。

2. 若使用 NP-F 系列电池，则首先移除图传高亮监视器背部 4 颗 M2×5 沉头螺丝，安装 NP-F 电池转接板至电池插槽并拧紧 4 颗 M2×6 圆柱头螺丝，然后置入电池并向供电接口方向推到底。确保 NP-F 电池移除按键为弹起状态，则表示电池安装到位。




按住电池转接板上的电池移除按键，沿安装反方向用力推电池，即可取出电池。

激活

全新的监视器需要激活方可使用。开启监视器，并连接至计算机，运行 DJI Assistant 2 (Ronin 系列) 调参软件，点击设备图标按照提示进行激活。调参软件下载地址：

<https://www.dji.com/downloads/softwares/dji-assistant-2-ronin-series>

 若设备使用时所在的国家 / 地区与设备激活时不同，则必须连接 DJI Assistant 2 调参软件并登录 DJI 账户以正确识别设备。

对频

监视器需与图传发射器对频后方可使用，对频前确保图传发射器已安装至与其配合使用的设备。监视器图传分为控制模式和广播模式，其对频方式略有不同。

控制模式

1. 开启图传高亮监视器，点击 **...** 进入系统菜单 > 连接设置。在控制模式下选择当前监视器为控制屏 A 或控制屏 B，然后点击对频控制屏 A/B，进入对频状态。



2. 使用 Ronin 4D：在 Ronin 4D 的机身高亮监视器菜单中选择图传设置 > 配对，或长按 Ronin 4D 图传发射器上的对频按键以进入对频状态，此时图传发射器上的对频状态指示灯红绿交替闪烁。

使用 DJI 图传发射器：开启 DJI 图传发射器，长按图传发射器上的菜单拨轮以进入对频状态，此时图传发射器上的对频状态指示灯红绿交替闪烁。

3. 对频成功后，图传高亮监视器显示已连接状态，Ronin 4D 机身高亮监视器上对应的控制屏 A 或控制屏 B 显示已连接状态，图传发射器的对频状态指示灯绿灯常亮。

广播模式

1. 使用 Ronin 4D：在 Ronin 4D 机身高亮监视器的图传设置中，开启广播模式。开启广播模式前请先确保至少有一台图传高亮监视器已开机并连接至 Ronin 4D。

使用 DJI 图传发射器：在图传发射器的菜单中，开启广播模式。

2. 开启图传高亮监视器，点击 ●●● 进入系统菜单 > 连接设置。点击广播模式，监视器将自动搜索附近已开启广播模式的设备。点击需要监看的设备，将显示对应设备的图传画面。通过图传画面右侧的摄像机编号按键可刷新图传显示或切换监看的设备。



监看界面



控制模式



Ronin 4D 镜像控制模式开启



广播模式

控制模式和广播模式下的界面显示略有不同，以下内容与控制模式下的界面介绍。在广播模式下，无法进行拍摄参数调节、LUT 切换等与控制相关的操作。

1. 电池电量及外接电源电压

使用电池供电时时显示电池电量百分比，使用外接直流电源供电时显示当前电压。当电池电量低至 10% 时，电池图标显示为红色 **10**。当电池为严重低电量，电池图标显示为 **10**，此时请立即充电。

2. 发射端电池电量及外接电源电压


显示与图传高亮监视器连接的发射端设备的电池电量及外接电源电压。使用电池供电时显示电池电量百分比，使用外接直流电源供电时显示当前电压。


3. 存储空间


显示监视器 microSD 卡的可用空间或对应的可录制时长。


4. 遥控设备

显示当前已连接的遥控设备，各设备对应显示图标如下。

: 三通道跟焦器

: 大师摇轮

: 左控制手柄

: 右控制手柄

5. HDMI 输入设备

通过 HDMI 接口接入视频源时，显示此图标。

6. 图传信号强度及码率

点击图标进入图传信道设置菜单，可切换信道模式、查看各频段信号质量、选择信道及下行带宽。

信道模式：分为自动模式和手动模式，点击进行切换。

自动模式下，图传信号会自动避开干扰较大的信道，优先选择干扰较少、质量较优的信道。手动模式下，用户可手动选择信号质量较优的信道及下行带宽。在近场且干扰较小时，推荐选择 40M 下行带宽，此时传输质量最优。在距离较远且干扰较强时，推荐使用 20M 下行带

宽，此时画面传输距离较远，抗干扰能力较强。

若配合 DJI 图传发射器使用，当以控制模式连接，且同时开启图传发射器的广播模式时，可设置连接模式优先级。

连接模式优先：点击选择控制优先或广播优先。

控制优先时，传输会优先保证控制模式的设备信号质量。用户可选择信道模式。此时可能出现距离较近的广播模式设备图传信号较差的情况。

广播优先时，传输会优先保证广播模式的设备信号质量。用户可手动选择信道，无法选择信道模式及下行带宽。

7. 拍摄参数

配合 Ronin 4D 使用时显示拍摄参数，包括色温、ND、镜头开角度 / 快门速度（跟随 Ronin 4D 中的设置显示其一）、光圈、EI 显示。点击可调节相应参数。

8. 体感控制

点击进入设置菜单，可开启或关闭体感控制。开启体感控制后，可设置平移、俯仰、横滚轴的跟随速度，回中云台。进入高级设置，可设置平移、俯仰、横滚轴的死区及平滑度，校准指南针，恢复出厂状态。

体感控制开启时，按住此图标可暂停体感控制，云台将保持当前姿态，松开后恢复控制；双击此图标可回中云台。



- 若在系统菜单中关闭体感控制，则此处不会显示体感控制图标。
- 开启体感控制后，界面右侧区域将不再显示 LiDAR 示波器。

9. 安全框

安全框可以辅助进行构图，还能为画面所需要添加的如台标、节目图标等叠加信息提前预留好空间。可在通用设置中开启或关闭安全框、设置安全框比例。注意安全框大小并不会影响最终素材录制，仅用于监看画面参考。

10. 遮幅

显示当前画面遮幅，可在通用设置中选择遮幅比例及透明度，暂不支持自定义遮幅比例。注意遮幅大小并不会影响最终素材录制，仅用于监看画面参考。

11. 系统菜单

包括连接设置、通用设置、本地回放、关于和帮助。详细说明见系统菜单章节。

12. 音量电平

显示当前音量电平，绿色为安全音量，黄色为过曝预警，红色为过曝。

13. 监听音量

滑动滑块可调节 3.5 mm 音频输出接口输出的音量大小。图传高亮监视器未内置扬声器，仅支持通过 3.5 mm 音频输出接口监听声音。

14. 录制按键及时码

点击可开始或停止远程及本地录制。时码右侧的图标显示当前控制录制的设备，可在录制控制设置中选择。

15. LUT（仅适用于 Ronin 4D）

点击可切换图传高亮监视器及图传高亮监视器拓展模块的 SDI 与 HDMI 视频输出 LUT 效果，支持 Rec.709、D-log、HLG、LOOK。若需自定义 LUT 监看，请先在 Ronin 4D 机身设置

中将 LOOK 设置为已导入的自定义 LUT，具体设置方法请参考《Ronin 4D 用户手册》。

16. 曝光辅助 / 对焦辅助设置

对焦标尺：开启后，界面右侧显示对焦标尺。配合 Ronin 4D 控制手柄或 DJI 三通道跟焦器使用时，用于辅助对焦。当读取到焦点信息及光圈值时，对焦标尺和 LiDAR 示波器上可显示对焦平面的距离（黄色箭头）及景深范围（黄色虚线范围）。（仅适用于 Ronn 4D）

LiDAR 示波器：开启后，LiDAR 测距器对焦区域内所有测距点信息将以俯视图的形式显示在界面右侧区域。（仅适用于 Ronn 4D）



LiDAR 示波器效果示意图

斑马线：开启后，图像中过曝的区域会以斑马纹提示，通过下方滑块可调节显示斑马线的电平百分比。



斑马线效果示意图

示波器：开启后，界面下方将以波形显示当前画面中的明暗关系与程度。



示波器效果示意图

假色：开启后，可在图像上叠加不同的色彩，以代表图像中不同物体的曝光值。开启假色参考开关，界面下方将显示假色表。



假色效果示意图

峰值对焦：开启峰值显示，并设置颜色峰值的显示颜色及百分比或光圈峰值的百分比。

若在 Ronin 4D 机身高亮监视器中开启镜像控制模式，则在图传高亮监视器中可查看 Ronin 4D 机身高亮监视器的全部界面显示，并可进行设置。界面上的触屏操作与 Ronin 4D 机身高亮监视器相同。以下图标分别对应 Ronin 4D 机身高亮监视器上相应的实体按键，用户可通过点击图标实现同样的功能。

17. 机身菜单 HOME 键

点击进入 Ronin 4D 机身菜单界面。

18. PEAK 焦点辅助开关

点击开启/关闭对焦辅助。可在菜单“监看”-“对焦辅助”中设置 PEAK 按键功能为峰值对焦(默认)、放大以及 LiDAR 示波器，图传高亮监视器界面上此图标的功能亦将随之改变。

19. LUT 开关

点击切换 LUT 显示。支持用户自定义 LUT，可在菜单“监看”-“LOOK”中将 LOOK 设置为已导入的自定义 LUT，具体设置方法请参考《Ronin 4D 用户手册》的 LOOK 章节。

20. EXP 曝光提示开关

点击开启/关闭曝光提示，支持斑马线、示波器以及假色，可在菜单“监看”-“曝光辅助”中设置。

21. 回放按键

点击进入回放页面，默认播放最后拍摄的视频。

系统菜单

点击屏幕左下角进入系统菜单进行各项设置。

连接设置

进行控制模式和广播模式的切换及对频。

通用设置

输入输出设置

HDMI/SDI OSD: 开启或关闭 HDMI/SDI 输出端的屏幕信息显示。

HDMI/SDI 输出比例: 正常或中央裁切 (16:9)。

HDMI/SDI 输出帧率: 自动或 24/25/30/50/60。当接入 HDMI/SDI 输出设备时, 监视器界面亦将弹出帧率选择窗口, 默认为低延迟, 即对应此处的帧率 60, 自动则对应此处的自动。

 HDMI/SDI 输出相关功能均需配合 DJI 图传监视器拓展板使用。

信号输入源: 使用发射端作为输入源时, 选择 OcuSync。使用监视器的 HDMI 接口作为输入源时, 选择 HDMI。

录制触发: 若发射端连接的相机具有录制触发功能, 可在此选择开启或关闭。

USB-C 功能: 使用 USB-C 接口进行固件升级时, 选择固件升级。若选择网络摄像头, 则将监视器的视频源作为网络摄像头的输入使用, 可上传图传画面至 USB-C 接口所连接的计算机。

录制控制

选择控制视频录制的设备。

TX+SD: 配合 Ronin 4D 使用时, 使用监视器监看界面或 Ronin 4D 机身的录制按键, 可控制监视器及 Ronin 4D 同时录制视频。录制文件将分别存储于 Ronin 4D 的存储介质及监视器的 microSD 卡中。

TX: 配合 Ronin 4D 使用时, 使用监视器监看界面或 Ronin 4D 机身的录制按键, 可控制 Ronin 4D 录制视频, 监视器不会进行本地录制。录制文件将存储于 Ronin 4D 的存储介质中。

SD: 使用监视器监看界面的录制按键, 可控制本地录制, 发射端不会进行录制。录制文件将存储于监视器的 microSD 卡中。

存储

点击进入页面可查看监视器 microSD 卡的可用空间以及格式化。

体感控制

开启或关闭体感控制。若在此处关闭体感控制, 则监看界面上将不会显示体感控制图标。

手柄拨轮功能

仅在配合 DJI 图传发射器使用时，显示此设置。若监视器已安装 Ronin 4D 控制手柄，可设置右手柄拨轮的功能。

屏幕设置

设置遮幅比例及透明度、是否显示安全框及安全框比例、屏幕亮度、是否显示靶心。

若发射端使用变形宽荧幕镜头，在此设置相应的变形反挤压比例，可将监看画面还原为正常效果。


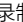
若发射端使用特定相机，在此开启虚拟控件，可通过监视器屏幕上的虚拟按键设置相机参数。

语言

在语言列表中选择界面语言。

本地回放

在回放页面可查看及播放 microSD 卡中本地录制的视频。

进入页面后，将自动播放最后录制的视频。点击  查看视频列表，点击  返回监看界面。

关于和帮助

查看版本号、序列号等信息，获取教学视频帮助。

附录

固件升级

使用 DJI Assistant 2 (Ronin 系列) 调参软件可对监视器进行升级。

1. 开启设备。使用 USB-C 连接线连接设备至计算机。
2. 启动 DJI Assistant 2 (Ronin 系列), 使用 DJI 账号登录并进入主界面。
3. 点击设备图标, 然后点击左侧的固件升级选项。
4. 选择并确认需要升级的固件版本。
5. 调参软件将自行下载并升级固件。
6. 升级完成后, 设备将自动重启。

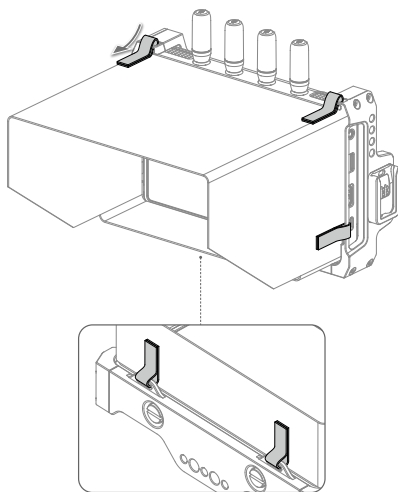
规格参数

型号	RXD2
重量	含拓展保护框: 768 g 不含拓展保护框: 496 g
尺寸	含拓展保护框: 214 × 52 × 166 mm (长 × 宽 × 高) 不含拓展保护框: 184 × 26 × 158 mm (长 × 宽 × 高)
触摸屏分辨率	1920 × 1200
触摸屏亮度	1500 cd/m ²
图传方案	O3 Pro
实时图传质量	1080p 60fps
最大通信带宽	40 MHz
最大图传距离 (无干扰、无阻挡)	6 km (FCC), 4 km (CE/SRRC/MIC)
视频编码格式	H.264
最大编码码率	40 Mbps
图传延时	68 ms (1080p 60fps) 100 ms (1080p 24fps)
工作频率 *	2.4000-2.4835 GHz, 5.150-5.250 GHz, 5.250-5.350 GHz, 5.470-5.725 GHz, 5.725-5.850 GHz
发射功率 (EIRP)	2.4 GHz: <33 dBm (FCC), <20 dBm (SRRC/CE/MIC) 5.8 GHz: <33 dBm (FCC), <14 dBm (CE), <23 dBm (SRRC)
支持的电池	WB37 智能电池, NP-F 系列电池
工作环境温度	-10 至 40°C

* 部分地区不支持 5.1/5.2/5.8 GHz 频段, 部分地区 5.1/5.2 GHz 频段仅限室内使用, 详情请参考当地法律法规。5.600-5.650 GHz 频段未使用。

安装遮光罩

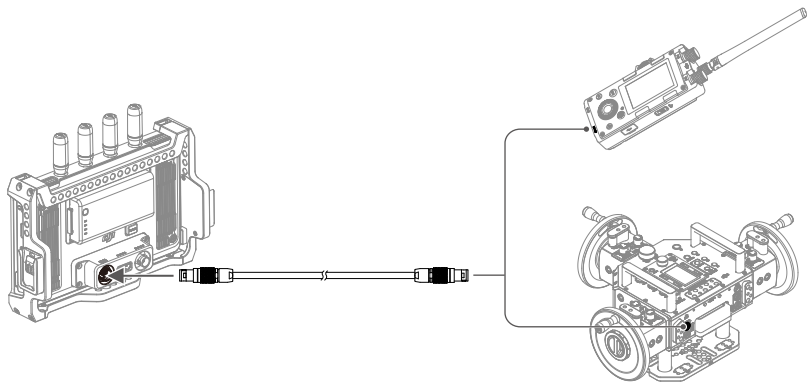
展开遮光罩，按照图示将遮光罩上的 6 个魔术贴分别穿过图传监视器拓展保护框上的安装孔，然后将魔术贴粘贴牢固。



使用其他控制设备

将 DJI 大师摇轮或体感控制器专业版连接至监视器，可远程控制发射端设备。

连接方法：将图传监视器拓展板安装至监视器，然后使用 DJI 图传高亮监视器控制器连接线连接大师摇轮或体感控制器的 DC-OUT 接口至拓展板的 DC-IN 接口。



WE ARE HERE FOR YOU

在线技术支持



Contact
DJI SUPPORT



微信扫一扫
获取技术支持

Download the latest version from
<https://www.dji.com/transmission/downloads>

※ This content is subject to change without prior notice.

If you have any questions about this document, please contact
DJI by sending a message to DocSupport@dji.com.

dji is a trademark of DJI.

Copyright © 2022 DJI All Rights Reserved.