

LENS ADAPTER

USER MANUAL

LA-NEX-NGII

Nikon F-Mount to Sony E-mount



 VELLO™

THANK YOU FOR CHOOSING VELLO

The LA-NEX-NGII Vello Lens Adapter is for attaching Nikon F-Mount lenses to Sony's E-mount cameras. This lens adapter affords the benefit of a manual aperture ring for selecting the f-stop, up to 8 stops, in 1/2-stop increments. This is ideal when using a lens that

does not have an aperture ring, such as Nikon's G-type lenses. However, this Vello lens adapter is compatible with most Nikon F-Mount lenses. The LA-NEX-NGII has a metal construction and a tripod foot which is detachable and works with most brands of ball heads.

Although the lens will fit physically, there is no electronic communication between the adapter, lens, or camera. Automatic diaphragm (AE metering) and some other functions will be disrupted by the adapter.

CONTENTS

- Vello LA-NEX-NGII lens adapter for Nikon F-Mount lenses to Sony's E-mount cameras
- Front and Rear Caps
- Removable Tripod Collar
- User Manual

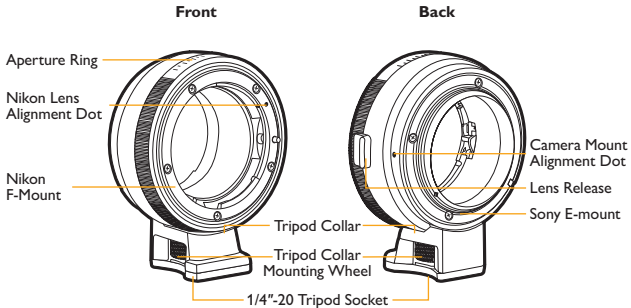


PRECAUTIONS

- Avoid sandy or dusty environments when using this adapter.
- Handle the adapter with care—don't drop it, and avoid bumps and shocks.
- Clean the adapter by wiping it with a soft, dry cloth.
- Do not use solvents such as benzene, alcohol, or detergents to clean the adapter.
- Be sure to read the operating instructions for your digital camera.
- Keep this unit away from children.
- Keep this unit away from water and flammable gases or liquids.
- Use only parts provided by the manufacturer.
- Handle the unit with care.

- Please read and follow these instructions, and keep this manual in a safe place.
- All images are for illustrative purposes only.

OVERVIEW



MOUNTING THE LENS ADAPTER

Note: Place the lens and camera on a stable, flat surface when mounting or removing the lens adapter.

1. Turn the camera's power off.
2. Remove all caps before mounting.



3. Line up the alignment dots on the lens adapter and the camera.
4. Carefully insert the lens adapter into the camera's lens mount, and rotate clockwise until it locks into place.

5. Line up the alignment dot on the lens with the alignment dot on the lens adapter.



6. Carefully insert the lens into the lens adapter, and rotate the lens assembly counterclockwise until it locks into place.



ADJUSTING THE APERTURE RING

Rotate the aperture ring counterclockwise to open the aperture.

Rotate the aperture ring clockwise to close the aperture.

Note: For Sony E-mount (NEX) cameras, enable the Release without Lens function in the camera's menu.



REMOVING THE LENS ADAPTER

1. Turn the camera's power off.
2. Press and hold the lens release on the lens adapter.



3. Rotate the lens clockwise to release, and carefully detach the lens from the lens adapter.
4. Reattach the front cap to the lens adapter.

5. Press and hold the lens release button on the camera.



6. Rotate the lens adapter counterclockwise to release, and carefully detach the lens adapter from the camera.



7. Reattach the rear cap to the lens adapter.

MOUNTING THE TRIPOD COLLAR

1. Align the tripod collar's mounting screw with the mounting socket on the bottom of the lens adapter.



2. Carefully rotate the tripod collar's mounting wheel clockwise until the collar is securely attached to the lens adapter.



REMOVING THE TRIPOD COLLAR

To remove the tripod collar, rotate the mounting wheel counterclockwise until the collar is loose enough to remove from the lens adapter.



Note: If your lens has a built-in tripod collar, use the collar on the lens to mount the assembly to the tripod.

SPECIFICATIONS

Compatible Lenses	Nikon F-Mount lenses including AI and non-AI
Compatible Cameras	Sony E-mount
Aperture Stops	8 (in 1/2-stop increments)
Front Mount	Nikon F-Mount
Rear Mount	Sony E-mount
Tripod Foot	1/4"-20 mount
Dimensions (H x W x D)	3.25" x 2.75" x 2" (8.3 x 7 x 5 cm)
Weight	8 oz. (227 g)

ONE-YEAR LIMITED WARRANTY

This VELLO product is warranted to the original purchaser to be free from defects in materials and workmanship under normal consumer use for a period of one (1) year from the original purchase date or thirty (30) days after replacement, whichever occurs later. The warranty provider's responsibility with respect to this limited warranty shall be limited solely to repair or replacement, at the provider's discretion, of any product that fails during normal use of this product in its intended manner and in its intended environment. Inoperability of the product or part(s) shall be determined by the warranty provider. If the product has been discontinued, the warranty provider reserves the right to replace it with a model of equivalent quality and function.

This warranty does not cover damage or defect caused by misuse, neglect, accident, alteration, abuse, improper installation or maintenance. EXCEPT AS PROVIDED HEREIN, THE WARRANTY PROVIDER MAKES NEITHER ANY EXPRESS WARRANTIES NOR ANY IMPLIED WARRANTIES, INCLUDING BUT NOT LIMITED TO ANY IMPLIED WARRANTY OF MERCHANTABILITY OR FITNESS FOR A

PARTICULAR PURPOSE. This warranty provides you with specific legal rights, and you may also have additional rights that vary from state to state.

To obtain warranty coverage, contact the Vello Customer Service Department to obtain a return merchandise authorization ("RMA") number, and return the defective product to Vello along with the RMA number and proof of purchase. Shipment of the defective product is at the purchaser's own risk and expense.

For more information or to arrange service, visit www.vellogear.com or call Customer Service at 212-594-2353.



Product warranty provided by the Gradus Group.
www.gradusgroup.com

VELLO is a registered trademark of the Gradus Group.
© 2016 Gradus Group LLC. All Rights Reserved.

www.vellogear.com

All other trademarks are the property of their respective owners.
© Copyright 2016 Gradus Group

GG1