

MARS 300

Product Description

Thank you for purchasing the MARS 300 Wireless HD Video Transmission System. This product uses the latest image coding and decoding technology and 5G wireless transmission technology to achieve ultra-low latency video transmission. The transmission distance is greater than 650ft in the line-of-sight environment, and the maximum resolution is 1080P60Hz, enabling full HD HDMI video transmission.

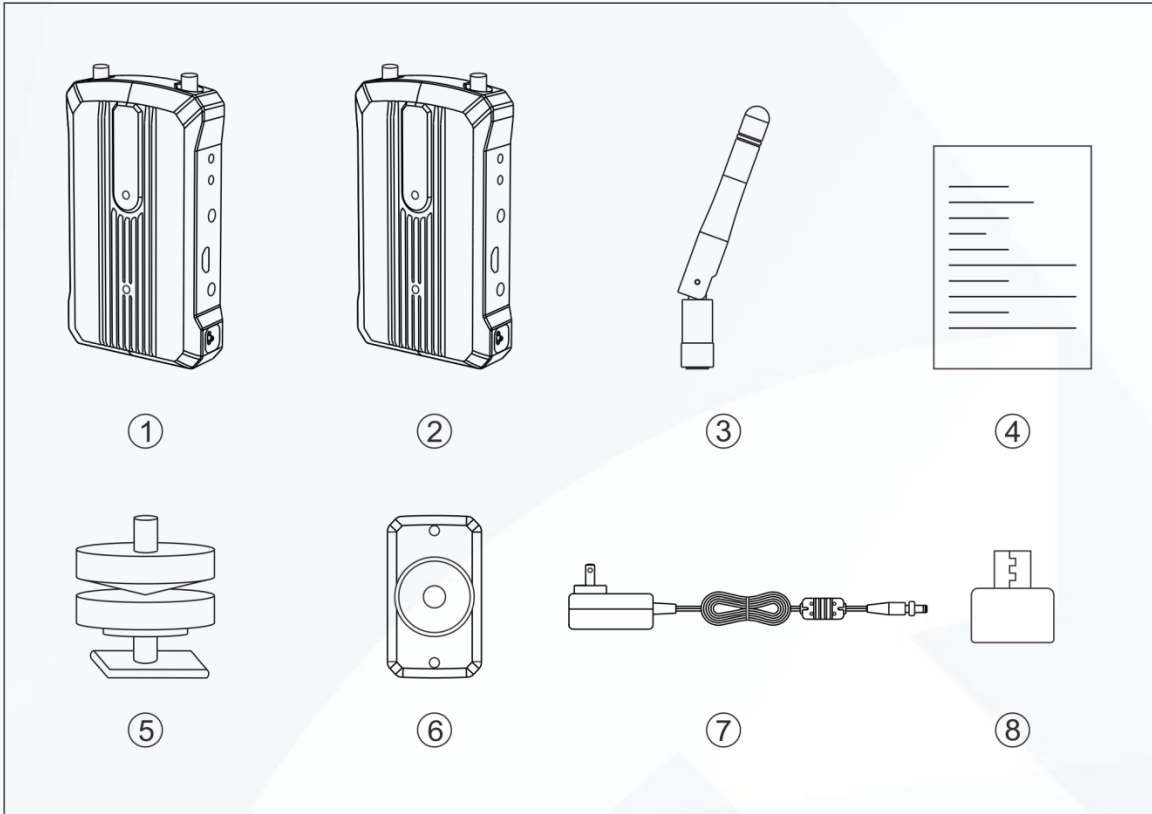
Features

- Latest image coding and decoding technology, 5G wireless transmission technology, Ultra-low latency video transmission
- Transmission Range 650ft
- HDMI IN/HDMI LOOP OUT、Dual HDMI OUT
- Both the transmitter and the receiver can mount the battery
- 6~16V DC Wide Voltage Input
- Support USB Interface Software Upgrade
- Industrial Metal Casing, Stable and Reliable

Application

- Filmmaking
- Live Broadcast
- Sports Activities
- Educational Recording
- Wedding Ceremonies
- Corporate Events

Packing List

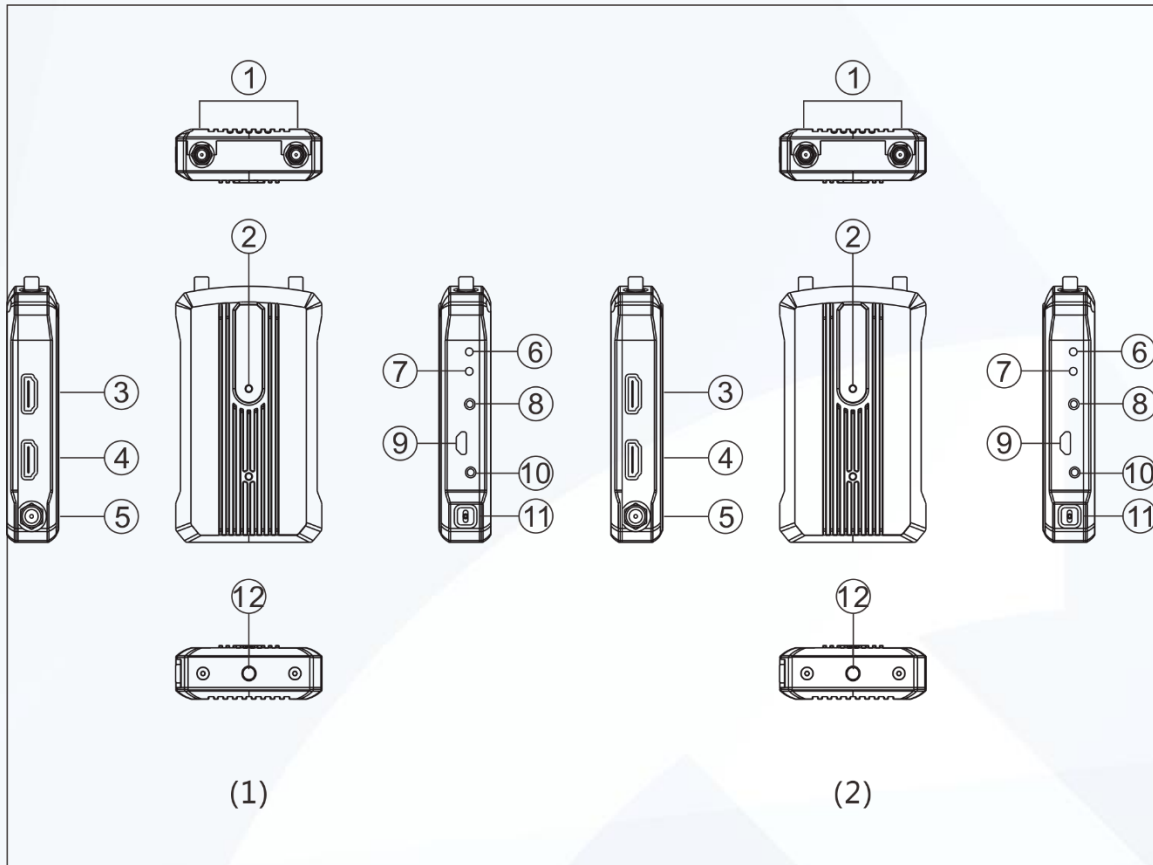


1.	Receiver	x1
2.	Transmitter	x1
3.	5GHz Antenna	x5
4.	User Manual	x1
5.	Cold Shoe	x1
6.	Expansion Accessory	x1
7.	DC Adapter	x1
8.	OTG converter	x1

Typical Connection Diagram



The wireless HD video transmission system adopts the latest wireless communication technology and ultra-low-latency high-definition video transmission. The transmitter supports HDMI input and HDMI loop out, and the receiver supports dual HDMI output

Product Interface Definition

(1) Transmitter

1. RP-SMA Antenna Male Interface
2. Expansion Accessory Mounting Hole
3. HDMI Loop Out Interface
4. HDMI Input Interface
5. DC Power Input Interface
6. Video Indicator
7. Link Indicator
8. Channel Button
9. Micro USB Interface
10. Pairing Button
11. Power Switch
12. 1/4-20 Threaded Hole

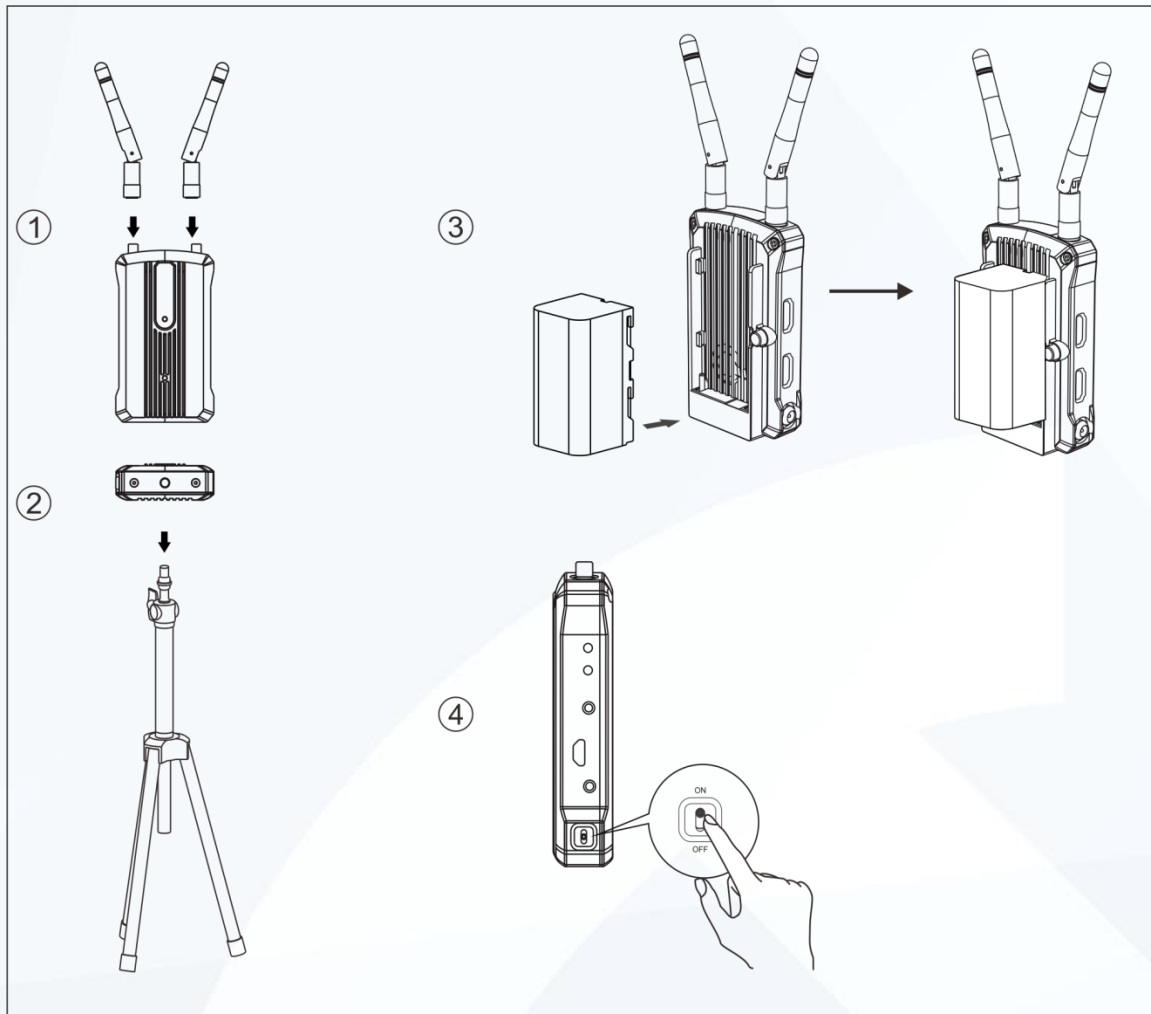
(2) Receiver

1. RP-SMA Antenna Male Interface

2. Expansion Accessory Mounting Hole
3. HDMI Output1 Interface
4. HDMI Output2 Interface
5. DC Power Input Interface
6. Video Indicator
7. Link Indicator
8. Channel Button
9. Micro USB Interface
10. Pairing Button
11. Power Switch
12. 1/4-20 Threaded Hole

Product Installation

1. Install the antenna as shown
2. Fixed transmitter, receiver
3. Install battery
4. Power on, open to "ON" state



Use Function Introduction

1. Pairing Function

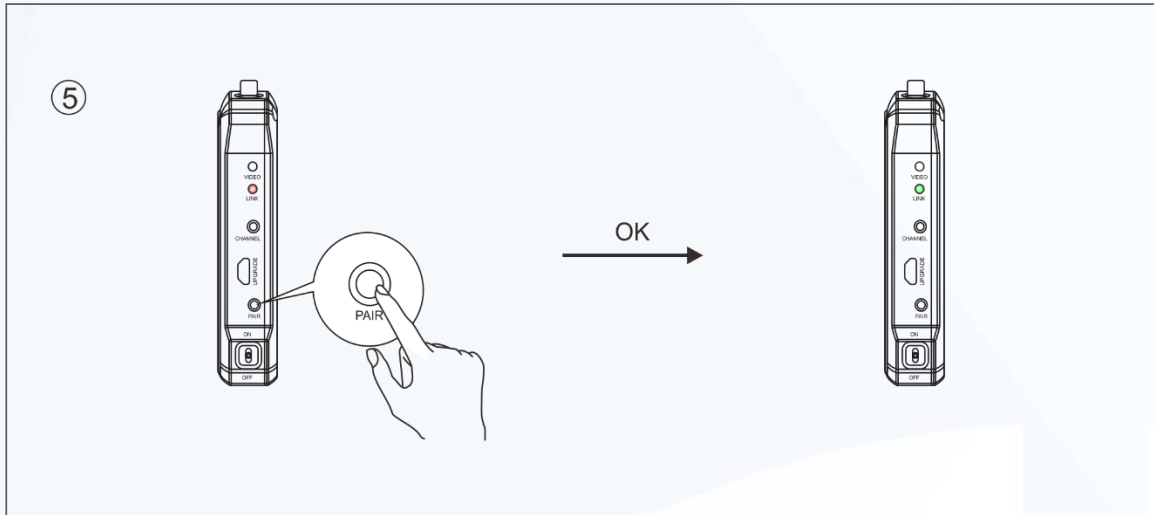
Press and hold the pairing button between the transmitter and the receiver at the same time. The Link light flashes red rapidly, and the transmitter and receiver enter the pairing mode. After the pairing is successful, the Link light is steady green, as shown in Figure 5.

2. Function Description

Double-click the FM button to switch the frequency value.

3. OSD Function

Press and hold the Receiver Channel/OSD button to call up the OSD to display the wireless parameters and version information of the device. After clicking or no operation for 10s, the OSD is blanked.



Status Light and Display Instructions

Link Indicator

Connection Status	Disconnect	Pairing	Connected - Strong Signal	Connected - Weak Signal
Display Light	Red Light	Red Light	Green Light	Yellow Light
Status	Slow Flash	Quick Flash	Stays On	Slow Flash

Video Indicator

Whether there is a video source	Have	No
Display Light	Yellow Light	/
Status	Stays On	Stays Off

Product Parameter List

	Transmitter	Receiver
Interface	HDMI Input (Type A Female) HDMI Loop Out (Type A Female) 2 Antenna (RP-SMA Male) DC Input, Micro USB	HDMI Output1 (Type A Female) HDMI Output2 (Type A Female) 2 Antenna (RP-SMA Male) DC Input, Micro USB

Power Supply Voltage Range	6~16V DC	6~16V DC
Power Consumption	<6W	<5W
Weight	145g	145g
Size	(LxWxH) :105x62x22mm not include antennas and battery plate	(LxWxH) :105x62x22mm not include antennas and battery plate
Input Video Format	HDMI: 480P60,576P50,720P50/60, 1080i50/60,1080P30/50/60	/
Output Video Format	/	HDMI: 480P60,576P50,720P50/60, 1080i50/60,1080P30/50/60
Frequency Band	5GHz	5GHz
Modulation Mode	OFDM	OFDM
Transmission Power	maximum17dBm	/
Receiving Sensitivity	/	-80dBm
Transmission Latency	<0.1s	
Bandwidth	20/40MHz	20/40MHz

Common Troubleshooting

No output on the display side

1. Please check the power of the transmitter and receiver. If it is powered by battery or external power supply, please make sure that the battery or external power supply has power and output normally
2. Please check if the antenna connected to the transmitter and receiver is securely installed

3. Please check if the transmitter's Video light is on; if not, please check if the HDMI cable connected to the transmitter is reliably connected to the camera and whether the camera has video outputs
4. Please check if the video output format of the camera is compatible with this product.
5. Please check if the battery level is too low

Poor Video Quality

1. Please check the HDMI input and output cable connections are reliable
 2. Please ensure that the transmitter and receiver are placed at least 1.5 meters above the ground
 3. Please check the status of the Link light. If the status is slow yellow, the wireless signal strength is too weak. In this case, please switch the wireless communication frequency or shorten the wireless connection distance
-